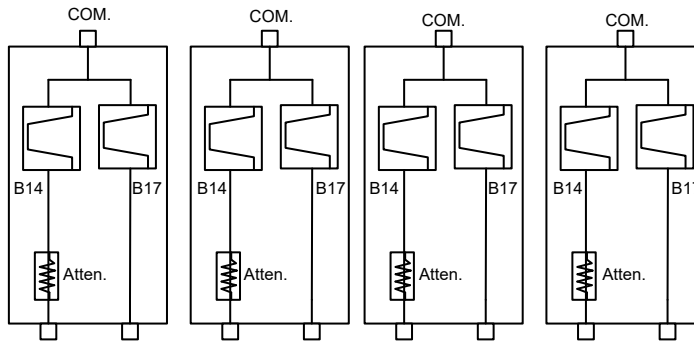


Customized Arrayed Style Diplexer for 700MHz B14 & B17

SDPX-7F-RC

This customized, array-style SDPX-7F-RC diplexer is optimized for dual-band radios supporting 2-sector 2×2 MIMO or 1-sector 4×4 MIMO configurations. It separates the downlink paths of dual-radio signals for connection to dedicated DAS head-end RF cards or POIs. An integrated fixed attenuator on the Band 14 path ensures the connected DAS input level remains at or below 17 dBm.

- 19" rack-mountable, fully customized diplexer solution
- Array of 4 × B14/B17 diplexers
- 13 dB fixed attenuation on the B14 path
- 1 W power rating
- Tailored design to meet system requirements



Parameter	Specifications	
Model	SDPX-7F-RC	
Diplexer Bands	700MHz Lower BC (Band 17)	700MHz FirstNet (Band 14)
Frequency Range [MHz]	704-746	758-798
Insertion Loss [dB]	0.35 max.	13 ± 0.5
Ripple [dB]	0.35	0.3
Return Loss [dB]	18	
Isolation [dB]	40	
PIM [dBc]	-153 @ 27dBm x 2 tones	
Power Rating [W]	1 (30 dBm)	
Operating Temp. [°F]	+14 to +140	
RF Connector	4.3 - 10 Female	
Size (WxHxD)	19" x 1.72" x 7.46"	

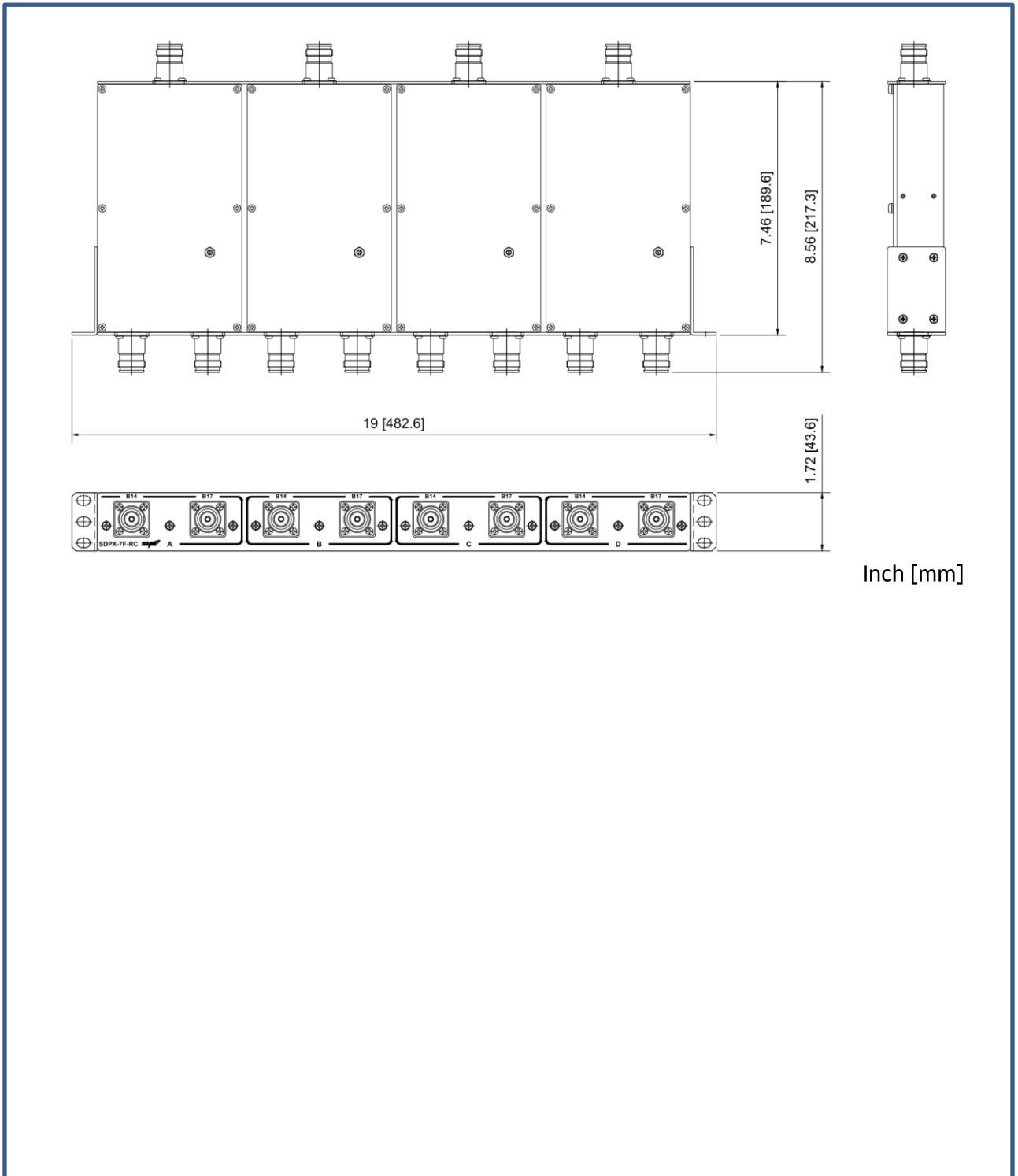
* Specifications are subject to change without prior notification.

Rev.0

Customized Arrayed Style Diplexer for 700MHz B14 & B17

SDPX-7F-RC

Mechanical Drawing



Rev.0